



# 8000

## SOFT SERVE MACHINE

The Phoenix 8000 challenges the status quo and sets the pace of the soft serve industry through cutting-edge proprietary technology. Expertly engineered, the 8000 is manufactured to the highest exacting standards resulting in a simple elegance and slim design that puts this machine at the epicenter of soft serve innovation.

## FEATURES

- The 8000 employs an LCD touch screen display giving operators full operational and diagnostic control without requiring technical assistance
- 13,000 BTU scroll compressor with up to 4x the lifespan of industry standard reciprocating compressors
- Best-in-class production output with the lowest rated energy consumption
- Four zone temperature control allows operators to adjust independent temperature points for each hopper and freezing cylinder, delivering perfect consistency regardless of soft serve or yogurt product type
- Optimal-sized hoppers and expanded freezing cylinders minimize product waste while allowing locations to handle peak-hour rushes
- 360 degree serviceability and leak-free access valves allow for easy and quick servicing
- Simplified design reduces the machine's footprint, decreases maintenance costs, and cuts down on the steps required to clean and assemble the machine
- Clear dispense door allows customers to see the product that will be dispensed, and offers an appealing, cutting-edge appearance
- Designed, engineered and manufactured in USA



Made in U.S.A



ADA Compliant

CONFORMS TO  
UL 621  
ANSI / NSF-6  
CERTIFIED TO CSA  
STD.C22.2 NO.120



### USA Marketing By:

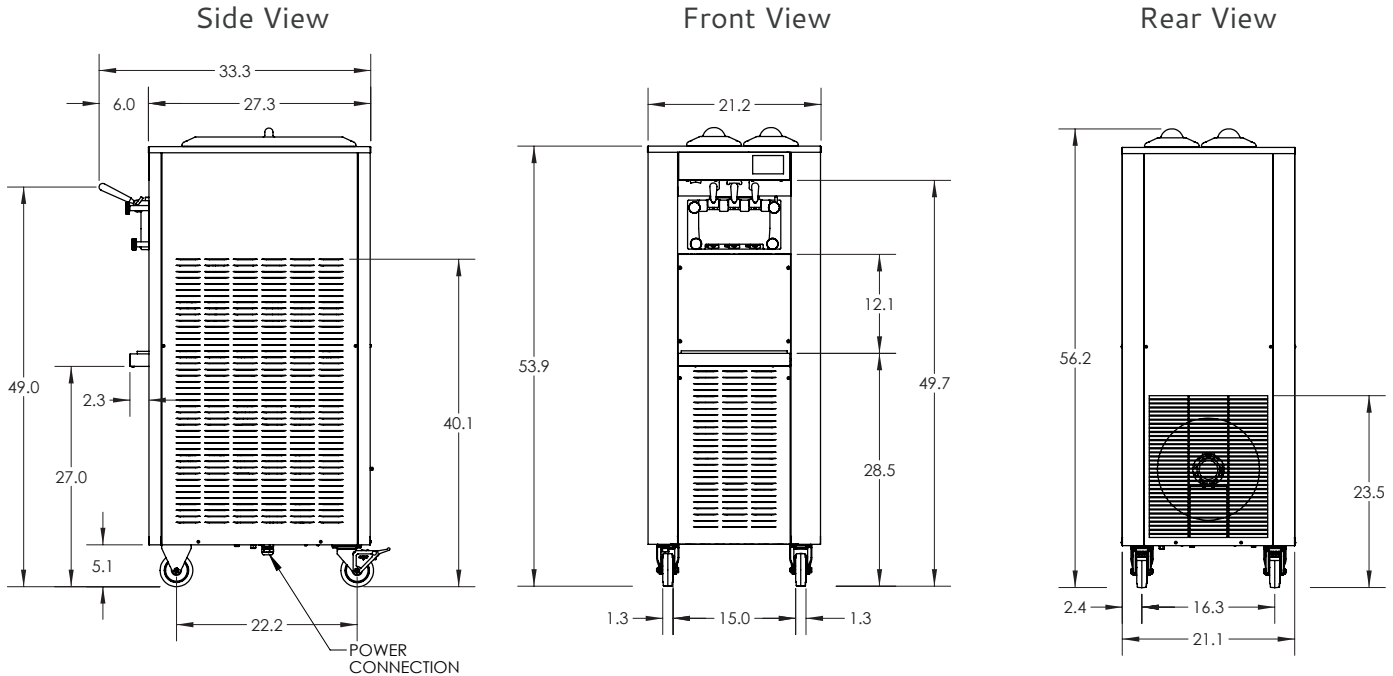
Global Cool, LLC

Phone: (951) 471-0091

Email: [globalcool@gmx.com](mailto:globalcool@gmx.com)



**PHOENIX**  
BEVERAGE SYSTEMS



MEASUREMENTS IN INCHES

## SPECIFICATIONS

Capacity	Qt.	L	Weights	lbs	kgs
Freezing Cylinder	2 x 4.0	2 x 3.79	Net	450	204
Refrigerated Hopper	2 x 12	2 x 11.36	Gross	500	227

### Refrigeration

R448A	32 oz	907 g
-------	-------	-------

### Options

- 8000-00: Air Cooled, Single Phase (1φ)
- 8000-03: Air Cooled, Three Phase (3φ)
- 8000-20: Water Cooled, Single Phase (1φ)
- 8000-23: Water Cooled, Three Phase (3φ)

**Air cooled units:** A minimum clearance of 6 inches is required on the right and left faces of the machine and 12 inches of clearance is required for the rear face of the machine.

**Water cooled units:** 1/2 inch N.P.T fitting required for water inlet and outlet, with a minimum water flow rate of 3 gallons per minute (GPM).

### Electrical

#### Single Phase (1φ):

- Voltage: 208 – 240 v
- Hertz: 60 Hz
- Breaker: 20 A
- Motor: (2)- 1 hp motors
- Plug: NEMA L6-30P

#### Three Phase (3φ):

- Voltage: 208 – 240 v
- Hertz: 60 Hz
- Breaker: 20A
- Motor: (2)- 1 hp motors
- Plug: NEMA L15-20P

Continuous product development may necessitate specification and/or design changes.

### USA Marketing By:

Global Cool, LLC  
 Phone: (951) 471-0091  
 Email: globalcool@gmx.com



**PHOENIX**  
 BEVERAGE SYSTEMS